



AUTOMATIC DIVING ARM MIXER IBT80/2V

SERIES: FORZA FORNI APPLIANCES



Steno

REFERENCE INVOICE #:

THE PREFERRED DOUGH MIXER

The Diving Arm Mixer operates with uniquely smooth movements that simulate the movement of human hands. This mixing process reduces heating in the dough, while promoting maximum homogeneity. The result is a more flavorful dough that is ready for a perfect leavening. For more information, please visit www.forzaforni.com.

BOWL SPECIFICATIONS

Dough Capacity 176 lbs	Bowl Volume 106 quarts
---------------------------	---------------------------

ELECTRICAL REQUIREMENTS

Phase 3-Phase	Voltage 220V
Current 15.4A	Freq. 60Hz

MOTOR POWER

1ST SPEED 2.68HP	2ND SPEED 4.29HP
---------------------	---------------------

Supplied with a **NEMA L15-30**-type locking plug

DIMENSIONS

Weight 1,193 lbs	Width 29"	Depth 41"	Height 65"
---------------------	--------------	--------------	---------------

FEATURES

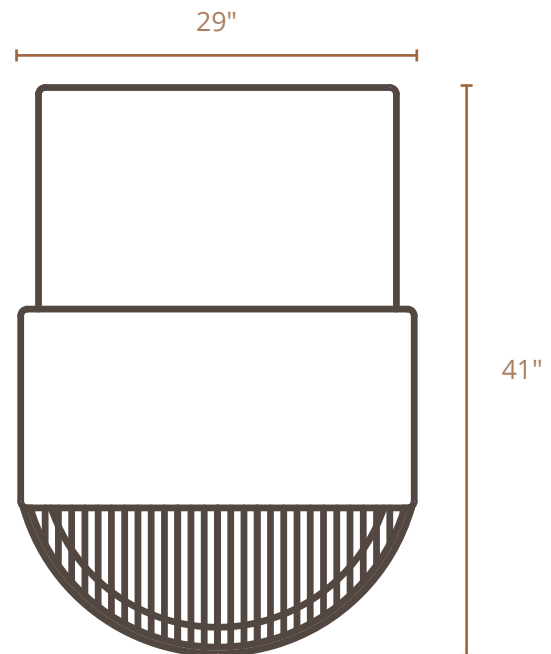
The operating system simulates human hands, and is the most efficient method for processing leavened dough.

Suitable for mixing dough for pastries, bread, pizza, or any other product of the same consistency.

The auto cycle has a programmed batch timer with slow and fast speed setting for ease of use.

Heavy-duty structure that is stove enameled and has a small footprint for a mixer of its capacity.

PLAN VIEW



1 year limited warranty on parts. See warranty document for details.

FORZA FORNI
601 N Main St, Brewster, NY 10509
Email: info@forzaforni.com
www.forzaforni.com

844-OVEN-INC (844-683-6462)
Toll-free in USA
(Hablamos Español,
Falamos Português)

Listed to:
ANSI/UL 763
ANSI/NSF-8



DOC#: IBT80-1206-1

REVISED WINTER 2017. As products continue to improve, spec sheets may change without notice. Please call Forza Forni for the latest specification sheet and for further details.

MADE IN ITALY