



ACUNTO CIRCOLARE SERIES

SERIES: ACUNTO NAPOLI OVENS



THE ORIGINAL NEAPOLITAN OVEN

Over 125 years of artisan oven-building experience go into each Acunto Neapolitan brick oven. Endorsed by both the *Vera Pizza Napoletana Association* and the *Neapolitan Association of Pizzaioli*, it is the oven of choice for authentic Neapolitan pizza.

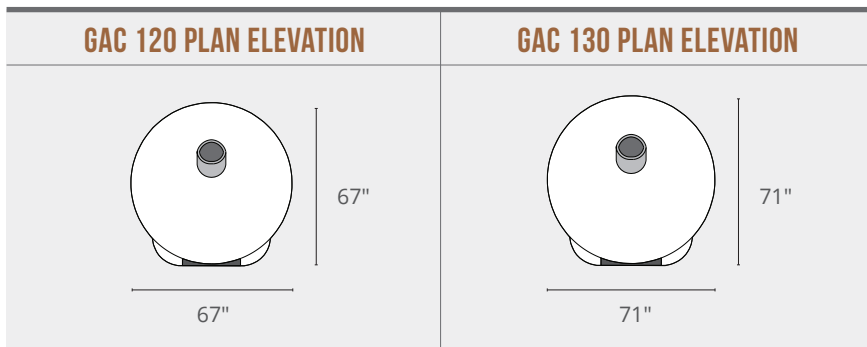


Acunto Circolare 130 Model, shipped from Acunto factory

FEATURES

The Acunto Circolare series ovens are hand-built Neapolitan brick ovens which feature a cast steel door opening. The refractory baking floor diameter ranges from 47.5" up to 51", lined with hand-made clay bricks to form a dome. An internal steel and cement structure reinforces the dome and shapes the oven base. A proprietary mixture of Neapolitan sand, volcanic rock and clay form a thick insulation, ensuring heat retention.

The oven is finished with red and white quartz paint and white Carrara marble countertops - the painted surfaces are prepared for tiling. The oven may be special-ordered with removable steel legs, or placed on an existing structure without factory provided legs. Information about the addition of gas burners, custom tiling, or leg options can be found online at www.forzaforni.com.



Custom-tiled Acunto Circolare 130



SPECIFICATIONS

MODEL	BAKING SURFACE	OVEN OPENING	12" PIZZA CAPACITY	DAILY PREHEAT TIME	EXTERNAL WIDTH	EXTERNAL DEPTH	FLUE SIZE	WEIGHT
GAC 120	47.5"	8.75" x 17"	5 - 6	1 Hour	67"	67"	10"	5,070 lbs
GAC 130	51"	8.75" x 20"	6 - 7	↓	71"	71"	↓	5,735 lbs

OVEN PRICING

FOB 10509, NY

MODEL	GAC 120	GAC 130
PRICE	\$12,850	\$13,700

CUSTOM TILE PRICING

- IMPORTED ITALIAN-MADE TILE
 - INCLUDES 3 PRE-VIS RENDERINGS
- \$2,800

WHAT IS INCLUDED

EACH ACUNTO IS FACTORY-CURED IMMEDIATELY BEFORE SHIPPING

INCLUDES CARRARA MARBLE COUNTERTOPS

GAS OPTION AVAILABLE UPON SPECIAL ORDER REQUEST

HEAVY-DUTY SHIPPING CRATE: \$500

FORZA FORNI
601 N Main St, Brewster, NY 10509
Email: info@forzaforni.com
www.forzaforni.com

844-OVEN-INC (844-683-6462)
Toll-free in USA
(Hablamos Español,
Falamos Português)

Ovens Listed to: UL 2162, NSF-4
Commercial Wood-Fired
Baking Ovens - Refractory Type;
File#: MH48941



DOC#: ACUNTOSERIES-0103-1

REVISED WINTER 2018. As products continue to improve, spec sheets may change without notice. Please call Forza Forni for the latest specification sheet and for further details.

MADE IN ITALY